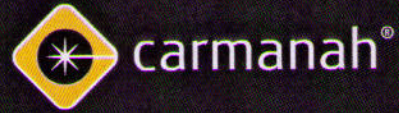
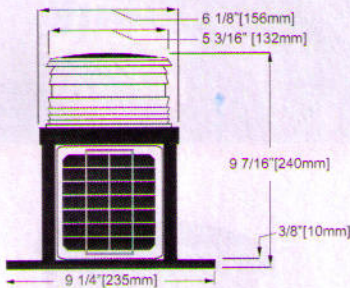


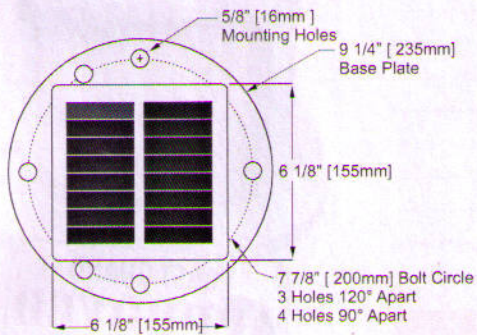
Solar-Powered LED Marine Lanterns Model M701-5 and M701-5 GPS



Side View



Top View



Accessories

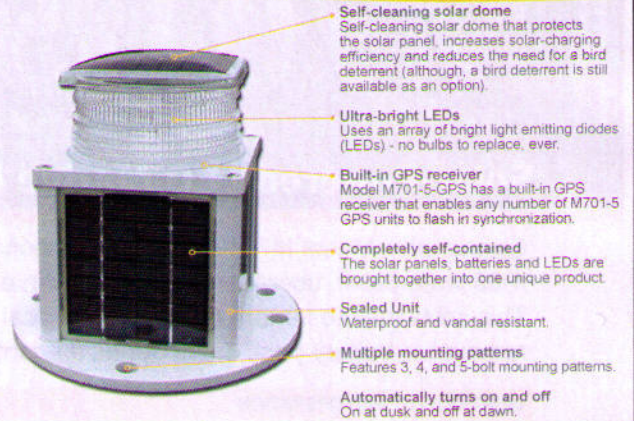
Infrared Programmer



Security Bolt



Bird Deterrent



Self-cleaning solar dome
Self-cleaning solar dome that protects the solar panel, increases solar-charging efficiency and reduces the need for a bird deterrent (although, a bird deterrent is still available as an option).

Ultra-bright LEDs
Uses an array of bright light emitting diodes (LEDs) - no bulbs to replace, ever.

Built-in GPS receiver
Model M701-5-GPS has a built-in GPS receiver that enables any number of M701-5 GPS units to flash in synchronization.

Completely self-contained
The solar panels, batteries and LEDs are brought together into one unique product.

Sealed Unit
Waterproof and vandal resistant.

Multiple mounting patterns
Features 3, 4, and 5-bolt mounting patterns.

Automatically turns on and off
On at dusk and off at dawn.

Originally designed and built under contract with the U.S. Coast Guard, Carmanah 700 series lanterns are the first solar-powered lanterns using light emitting diodes (LEDs) to enter the U.S. Navigational Aid System. As the smallest lantern in the 700 series, the Model M701-5 and M701-5 GPS lanterns are in use by Coast Guards, Navies, and Ports Authorities and offer:

- **Maximum capacity with minimal life-cycle cost** – operates up to 5 years maintenance free³
- **Field-proven durability** – over 250,000 solar installations worldwide
- **IP68 certification** – designed to higher levels of water ingress protection standards
- **Vandal and theft resistant design** – high quality construction and mounting hardware
- **Patented technology** – innovative LED technology and energy management system
- **Synchronization Module** – optional GPS capabilities, enables two or more M701-5 lanterns to flash in unison

The Model M701-5 and M701-5 GPS are also:

- Manufactured in accordance with ISO 9001:2000 Quality Assurance Standards
- Engineered to meet requirements of the USCG in 33 CFR part 66 for Private Aids to Navigation
- Manufactured with a colored base plate for easy identification of LED color

¹ Transmissivity of 0.74

² Actual range is dependant on flash pattern, intensity, and LED color.

³ Dependent on location.



Toll Free Canada & US: 1.877.722.8877 • carmanah.com • Worldwide: +1.250.380.0052